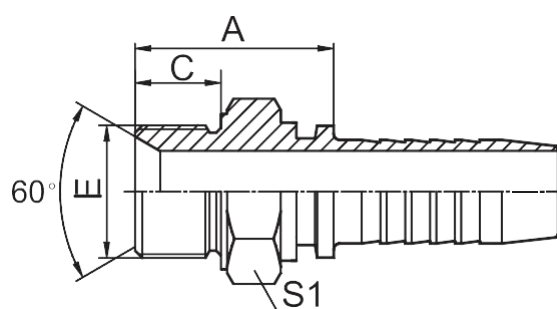


公制外螺纹 60° 内锥面或六角端面

用组合垫密封的双用接头

METRIC MALE DOUBLE USE FOR
60° CONE SEAT OR BONDED SEAL

10611



代号尺寸:

代号 PART NO.		螺 纹 E THREAD E	软 管 HOSE SIZE		尺 寸 DIMENSIONS		
编织 BRAIDED	缠绕 SPIRAL		公称内径 DN	标号 DASH	A	C	S1
10611-14-04Z	-	M14X1.5	6	4	23.5	11	19
10611-14-06Z	10612-14-06Z	M14X1.5	10	6	25	11	19
10611-16-04Z	-	M16X1.5	6	4	27.5	12	22
10611-16-05Z	-	M16X1.5	8	5	27.5	12	22
10611-18-06Z	10612-18-06Z	M18X1.5	10	6	27.5	12	24
10611-22-06Z	10612-22-06Z	M22X1.5	10	6	30.5	14	27
10611-22-08Z	10612-22-08Z	M22X1.5	12	8	31	14	27
10611-24-10Z	10612-24-10Z	M24X1.5	16	10	35	14	30
10611-26-10Z	10612-26-10Z	M26X1.5	16	10	34.5	16	32
10611-27-10DZ	10612-27-10DZ	M27X1.5	16	10	35	16	32
10611-27-10Z	10612-27-10Z	M27X2	16	10	34.5	16	32
10611-30-12DZ	10612-30-12DZ	M30X1.5	20	12	38	18	36
10611-30-12Z	10612-30-12Z	M30X2	20	12	38	18	36
10611-33-16Z	10612-33-16Z	M33X2	25	16	40	18	41

10611-42-20Z	10612N-42-20Z	M42X2	32	20	46/48.6	20	50
10611-45-20Z	10612N-45-20Z	M45X2	32	20	46/48.6	20	55
10611-48-24Z	10612N-48-24Z	M48X2	40	24	46/49	20	55
10611-52-24Z	10612N-52-24Z	M52X2	40	24	46/49	20	60

注：1.尺寸 A 中"/"前尺寸适用于编织管接头,"/"后尺寸适用于缠绕管接头。

Notes: 1.The dimension A before"/" is for braided hose fitting and after "/" is for spiral hose fitting.