

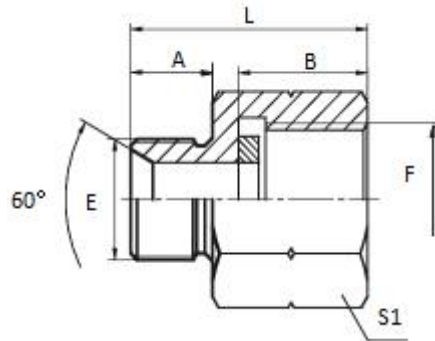
英管外螺纹 60° 内锥或六角端面用组合垫密封/

英管内螺纹表接头

BSP MALE DOUBLE USE FOR 60° CONE SEAT OR BONDED SEAL/

BSP FEMALE PRESSURE GAUGE CONNECTORS

5B-G



代号尺寸:

代号 PART NO.	螺纹 THREAD		紫铜片 F 端 COPPER WASHER F 端	尺寸 DIMENSIONS			
	E	F		A	B	L	S1
5B-04GZ	G1/4"x19	G1/4"X19	DP-B04G	12	11	26	19
5B-06-04GZ	G3/8"x19	G1/4"X19	DP-B04G	13.5	11	28.5	22
5B-06-08GZ	G3/8"x19	G1/2"X14	DP-B08G	13.5	17	35.5	27
5B-08GZ	G1/2"x14	G1/2"X14	DP-B08G	16	17	37	27