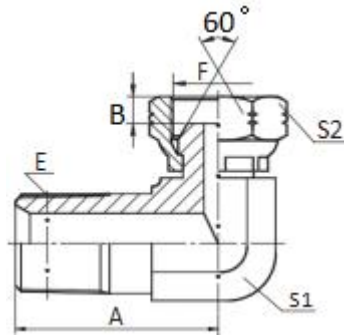


加长布锥管外螺纹/美制 NPSM 内螺纹 60° 外锥 90° 弯

LONG NPT MALE/NPSM FEMALE 60° CONE 90° ELBOW

2NU9-L



代号尺寸:

代号 PART NO.	螺纹 THREAD		尺寸 DIMENSIONS			
	E	F	A	B	S1	S2
2NU9-04LZ	Z1/4"X18	1/4"X18	40.1	4.6	14	19
2NU9-06LZ	Z3/8"X18	3/8"X18	46.2	6	19	22
2NU9-08LZ	Z1/2"X14	1/2"X14	55.1	7.5	22	27
2NU9-12LZ	Z3/4"X14	3/4"X14	62	8.9	27	32
2NU9-16LZ	Z1"X11.5	1"X11.5	76.5	10.5	33	41
2NU9-20LZ	Z1.1/4"X11.5	1.1/4"X11.5	93.7	11.2	41	50
2NU9-24LZ	Z1.1/2"X11.5	1.1/2"X11.5	104.1	11.2	48	55
2NU9-32LZ	Z2"X11.5	2"X11.5	122.2	11.2	63	70